

Project: \_\_\_\_\_

Reference Type: \_\_\_\_\_

Item Code: \_\_\_\_\_

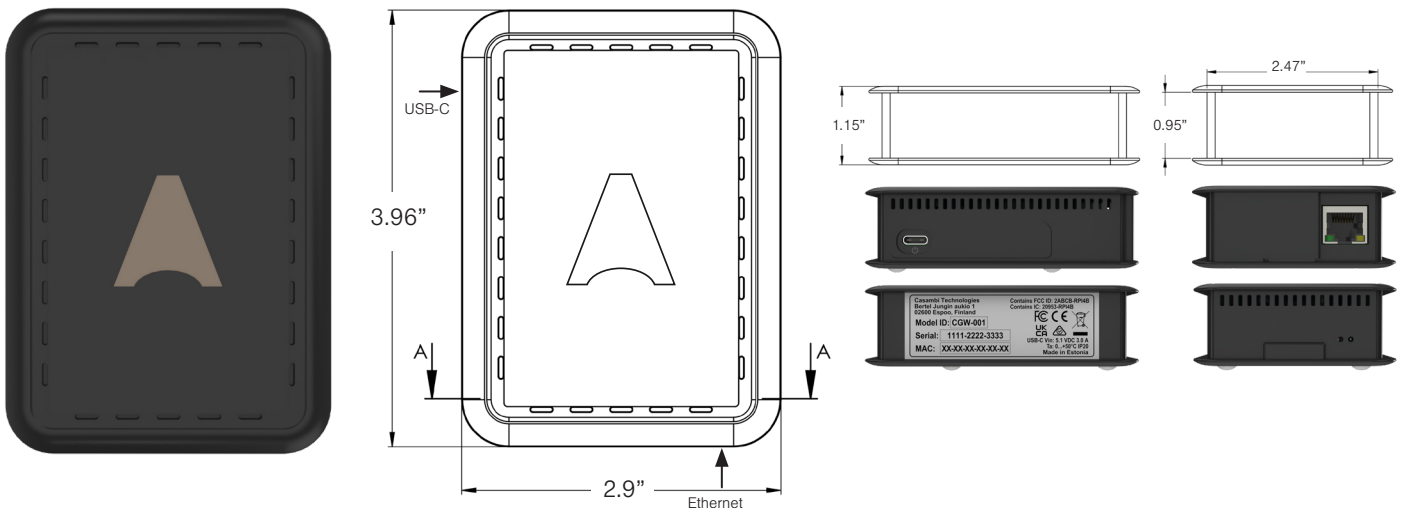
Date: \_\_\_\_\_

Notes: \_\_\_\_\_

**Casambi Cloud Gateway**

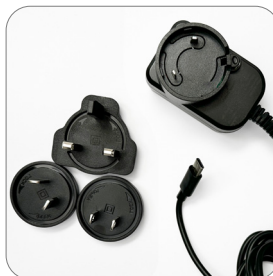
**CGW-001-PSU**  
**CGW-001-POE**

Receive data from your Casambi network and remotely control it over the internet with a Casambi Cloud Gateway. Two product variants are available; PSU (CGW-001-PSU) and PoE-enabled (CGW-001-POE). The Power Supply Unit (PSU) version comes with a power adapter that's suitable for the EU, UK, US, AU and PRC regions. The Power over Ethernet (PoE) version comes with a splitter to separate the power from the data and feed it into a separate input.



**Certifications**

Contains FCC ID: 2ABCB-RPI4B  
 Contains IC: 20953-RPI4B



PSU cable



PoE cable



Project: \_\_\_\_\_  
Reference Type: \_\_\_\_\_  
Item Code: \_\_\_\_\_  
Date: \_\_\_\_\_  
Notes: \_\_\_\_\_

## User interface and Functionality

The Casambi Cloud Gateway affords much of the same end-user functionality as the Casambi App, the latter being the user interface for this gateway.

## Lighting control options

- Create groups, scenes, animations.
- Dim or turn on/off singular or groups of luminaires.
- Dim or turn on/off a whole network.
- Turn on/off scenes and animations.
- Control color temperature, hue and saturation utilizing the control slider in the app.
- Create and edit timers.

## Security

- Instructions for the required network settings are provided in the installation guide.
- The Casambi Cloud Gateway initiates all network traffic – there are no incoming network connections.
- All internet connections are encrypted (HTTPS).
- We advise installers to follow industry best practices such as adding the gateway to a network that is separate from business-critical devices and storing the gateway in a secure location.

## Further considerations

- For indoor use only.
- Use one Casambi Cloud Gateway per Casambi network.
- Works with Casambi's Evolution firmware.
- For remote control and monitoring of a Casambi network in real-time.

## Technical specification

The Casambi Cloud Gateway comes with Ethernet and Wi-Fi connections for internet access and flash memory on a hardware-dedicated SD card. It is based on the Raspberry Pi 4, which has 47 certifications spanning CE, FCC, IC, UK CA, KCC, and features the following specifications:

- Broadcom BCM2711, Quad-core Cortex-A72 (ARM v8) 64-bit SoC @ 1.5GHz
- 4GB LPDDR4-3200 SDRAM
- 2.4 GHz and 5.0 GHz IEEE 802.11ac wireless, Bluetooth 5.0, BLE
- Gigabit Ethernet
- USB-C and Ethernet ports
- 5V DC via USB-C connector (minimum 3A)
- Power over Ethernet (PoE) enabled
- Operating temperature: 32 – 122 degrees F ambient (0 – 50 degrees C ambient).